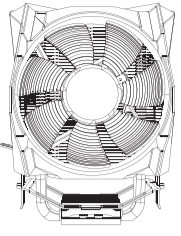
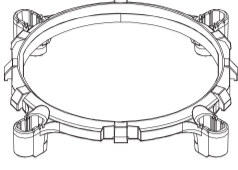
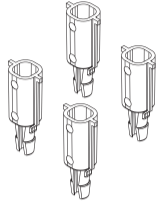
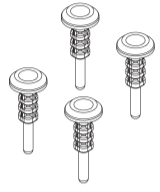
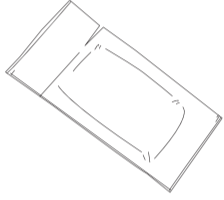




Antec
A30 NEO
INSTALLATION GUIDE

PART LIST

1	CPU Cooler *1 (Include: Fan *1, Mounting Kit *1)	
2	Intel Buckle *1	
3	Push Pin *4	
4	Intel Buckle *4	
5	Thermal Grease *1	

BIOS Configuration

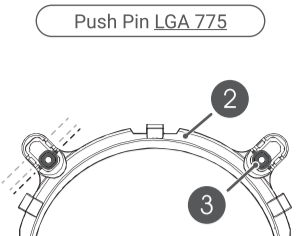
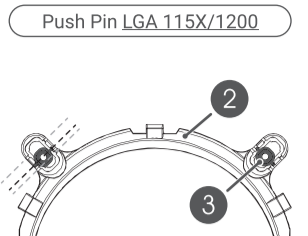
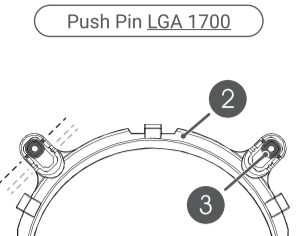
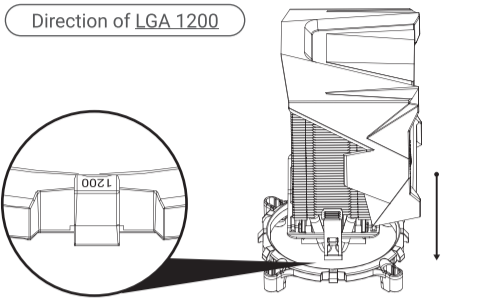
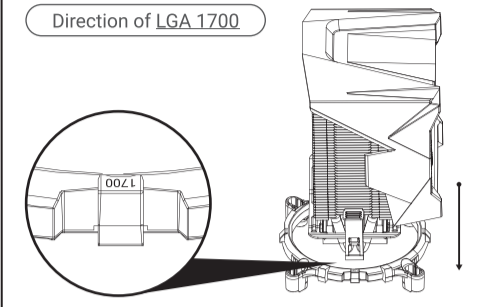
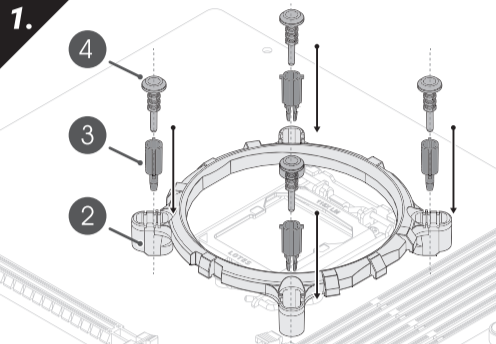
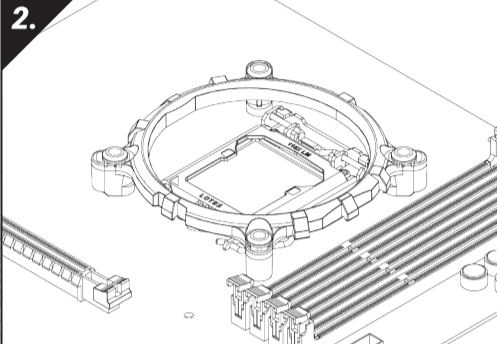
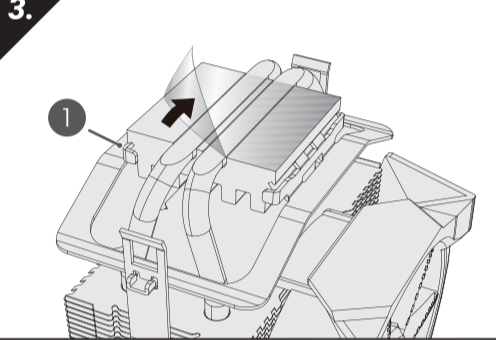
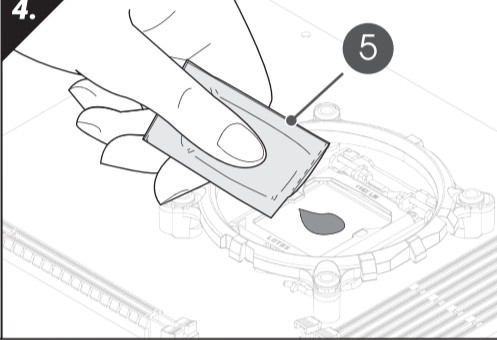
- In case that the "CPU FAN ERROR" message is displayed by the UEFI(BIOS), please adjust the UEFI fan speed settings ("CPU Fan Speed Low Limit" - Option).

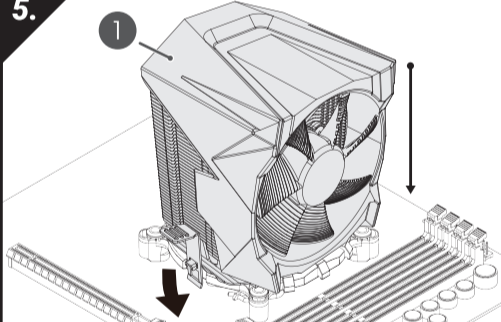
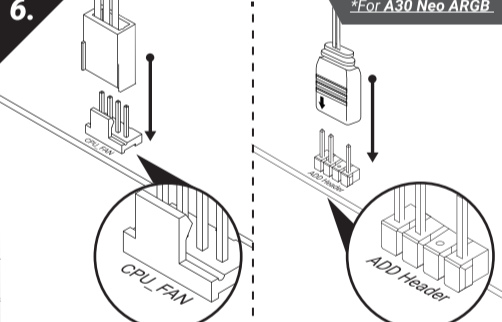
*Settings will vary according to your type of motherboard.
Please consult your motherboard instructions.

Before Installation & Caution during Installation

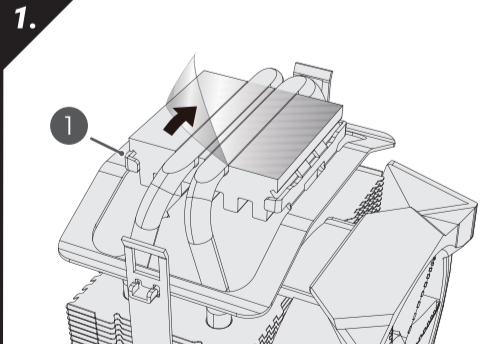
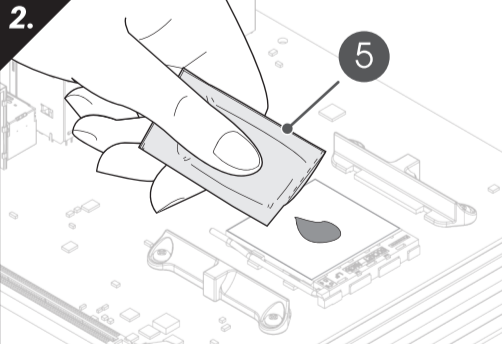
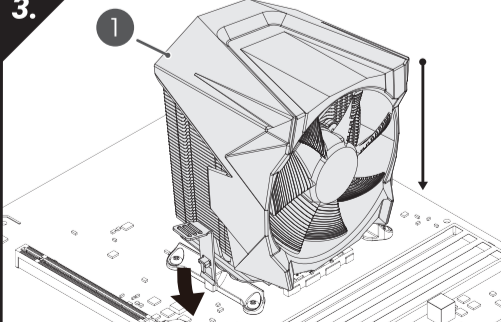
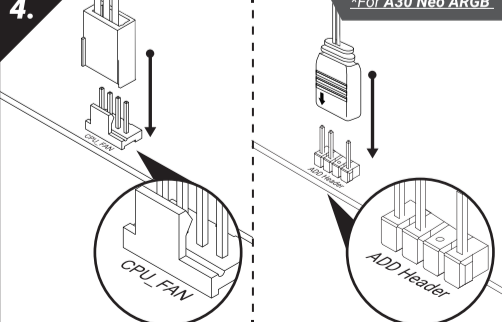
- It is recommended to reserve enough space for installing this product as well as to wear gloves to prevent any injuries during the installation.
- Please keep this product and accessories away from children.
- To prevent injuries, please be careful as the edges of the devices installed in your system can be sharp.

INTEL LGA 775 / 115X / 1200 / 1700 (CORE I3 / I5 CPU)

Push Pin LGA 775	Push Pin LGA 115X/1200	Push Pin LGA 1700
		
Direction of LGA 1200	Direction of LGA 1700	
		
1.	2.	
		
3.	4.	
		

5.	6.
	

AMD AM5 / AM4 / FM2 / FM1 / AM3+ / AM3 / AM2+ / AM2

1.	2.
	
3.	4.
	



www. **Antec** .com