



FitSwitch 8 PoE

EnGenius Fit Gigabit 8-Port 55W PoE+ Switch with 2 SFP Ports

Overview

EnGenius Fit Layer 2+ Switch, EWS2910P-FIT, offers a cost-effective solution with 8 Gigabit PoE+ ports, 2 Gigabit SFP uplink ports, and a 55W budget. It supports zero-touch provisioning, centralized cloud management, and offers EnGenius FitXpress (cloud-managed), FitController (on-premises), or standalone management options. With advanced security features and Voice-VLAN, it's optimized for network efficiency and is ideal for SMBs.



Features & Benefits

- 8x GE PoE+ Ports and 2x SFP uplink
- Desktop Model Supports 802.3af/at PoE+ With a Total Budget of 55W
- Zero touch provisioning, centralized cloud management and visualized monitoring
- Hybrid cloud switch supports flexible management options such as EnGenius FitXpress (cloud-managed), FitController (on-premises), or standalone
- Robust security that supports Port based / MAC based ACL Storm control, DHCP Snooping, DOS Attack Prevention, 802.1X & RADIUS Authentication and more
- Optimized for quality voice and video traffic with Voice-VLAN feature

Technical Specifications

Technical Specifications

Port Standards

802.3 10Base-T Ethernet

802.3u 100Base-TX Ethernet

802.3ab 1000Base-T Ethernet

802.3x Full-Duplex Flow Control

Network Port - Gigabit Ethernet Ports

8x GE Ports

Network Port - SFP Ports

2x SFP

Switching Capacity

16Gbps

SDRAM

256MB

Flash Memory

32MB

PoE Capable Ports

Ports 1-8

Total PoE Budget

55W

Power Source

100 to 240 VAC, 50/60Hz

Physical Interface

System Indicators

Power LED

Fault LED

PoE Max LED

LAN Mode LED

PoE Mode LED

Ports Indicators

Link/Activity/Speed (per Ethernet port)

Link/Activity/Speed (per SFP slot)

L3 Software Features

Multiple IP Interface

20 IPv6 address

ARP Table

Max. 192 ARP entries

Static ARP

Static 192 ARP entries

IPv4 Static Route

Max. 63 entries

IPv6 Static Route

Max. 21 entries

L2 Software Features

Network Management

EnGenius FITCloud

FITCON

Local Web GUI

MAC Address Table

8K

Jumbo frame size

9K

Multicast Group

Max 256 groups

MLD Snooping

MLD Snooping: v1

QoS-number of Priority Queues Supported

Queue 8

QoS Trust Mode

Cos/802.1p

DSCP

CoS/802.1p-DSCP

Scheduling Mechanism

Strict / WRR/ Strict + WRR

Bandwidth Control

Port-based bandwidth control (Ingress/Egress)

Port Security

Max. 256 Entries

Access Control List (ACL)

MAC Based ACL

IPv4/IPv6 Based ACL

ACL Binding

Time base ACL

Web Graphical User Interface (GUI)

HTTP IPv4 / IPv6

HTTPS IPv4 / IPv6

SSL Certificate

Certificate/Key Import

SNMP

SNMP v1/v2c/v3 Support

RMON

RMON 1,2,3,9

System Time

Time Setting/Daylight saving

Common L2 Features

802.1d Spanning tree

Loopback Detection

Multicast Filtering

IGMP Multicast Forwarding

IGMP Snooping

MLD Multicast Forwarding

802.1Q VLAN tagging

802.3x flow control

Technical Specifications

| |
|--|
| 802.3ad Link Aggregation |
| IPv4 DHCP Relay |
| IPv4 DHCP Snooping |
| IPv4 DHCP Snooping Source MAC Address Check-up |
| ARP Inspection |
| ARP Packet Validation (additional validation checks) |
| Voice VLAN |
| Port-based VLAN |
| Protocol-Based VLAN |
| CoS Mapping |
| 802.1X Radius Authentication Protocol |
| IPv4 Settings |
| IPv6 Settings |
| IEEE 802.3az Energy Efficient Ethernet (EEE) |
| Command Line Interface (CLI) |
| SSH Server |
| Telnet Server |
| TFTP Client |
| Configuration Upgrade/ Backup |
| Simple Network Time Protocol (SNTP) |
| SYSLOG |
| 802.1d Spanning tree |

Environmental & Physical

Temperature Range

Operating: 32°F to 104°F (0°C to 40°C)

Humidity (Non-Condensing)

Operating: 5% - 95%

Device Dimensions & Weight

Device Dimensions & Weights

Weight: 620 g

Width: 240 mm

Length: 105 mm

Height: 27 mm

Package Contents

1x FIT Managed Switch

1x Quick Installation Guide

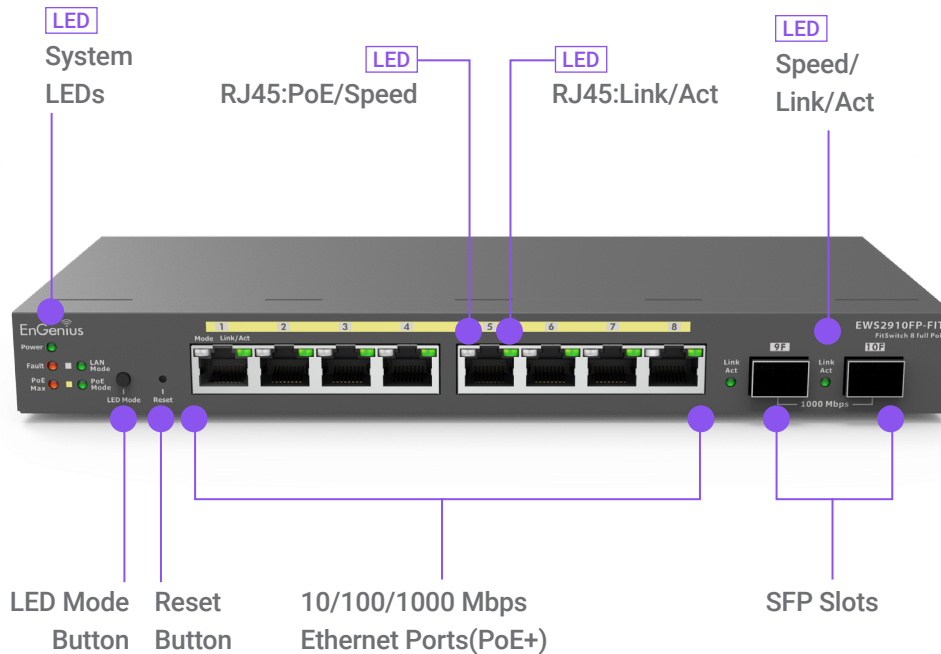
1x Power Adapter

1x Power Cord

1x Wall Mount Kit

1x Ground Screw Set

Hardware Overviews



EnGenius Technologies | Costa Mesa, California, USA

Email: support@engeniustech.com
Website: www.engeniustech.com
Local contact: (+1) 714 432 8668

EnGenius Networks Singapore Pte Ltd. | Singapore

Email: techsupport@engeniustech.com.sg
Website: www.engeniustech.com.sg
Local contact: (+65) 6227 1088

EnGenius Technologies Canada | Ontario, Canada

Email: support@engeniustech.com
Website: www.engeniustech.com
Local contact: (+1) 905 940 8181

EnGenius Networks Dubai | Dubai, UAE

Email: support@engeniustech-me.com
Website: www.engeniustech-me.com
Local contact: (+971) 4 339 1227

EnGenius Networks Europe B.V. | Eindhoven, Netherlands

Email: support@engeniustech.com
Website: www.engeniustech.com
Local contact: (+31) 40 8200 887

恩碩科技股份有限公司 | Taiwan, R.O.C.

Email: support@engeniustech.com.tw
Website: www.engeniustech.com.tw
Local contact: (+886) 2 2652 1808

Features and specifications subject to change without notice. Trademarks and registered trademarks are the property of their respective owners. These limits are designed to provide reasonable protection against harmful interference in a residential installation. This equipment generates, uses, and can radiate radio frequency energy and, if not installed and used in accordance with the instructions, may cause harmful interference to radio communications. Operation of this equipment in a residential area is likely to cause harmful interference in which case the user will be required to correct the interference at his/her own expense. Prior to installing any surveillance equipment, it is your responsibility to ensure the installation is in compliance with local, state and federal video and audio surveillance and privacy laws.

Version 1.2 09/ 25/ 2023

