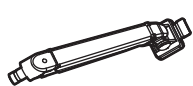


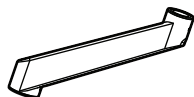
Installation Instructions

Heavy Duty Monitor Arm

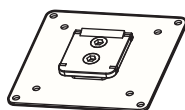
Component Checklist



Upper Arm



Lower Arm



VESA Plate

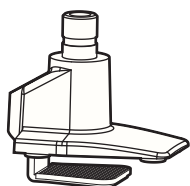
Display Mounting Hardware



M4 x 12mm, 16mm & 25mm Screws (x4 each)



M4 x 10mm Spacer (x4)



Desk Clamp Assembly

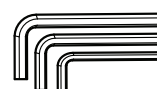


Bolt-Through Plate



Bolt-Through Screw (M8x160mm)

Hardware



6mm, 4mm & 3mm Allen Keys

Tools Required

- Phillips Head Screwdriver
- Power Drill & 9mm (0.35") Drill Bit (if Bolt-Through Installation)

IMPORTANT INFORMATION

! IMPORTANT - Install Heavy Duty Monitor Arm as per Installation Instructions.

! The manufacturer accepts no responsibility for incorrect installation.

! Ensure any required electrical/data cables have sufficient length to accommodate the arm's movement.

! This product supports a minimum load of 8kg (17.6 lbs) and a maximum load of 18kg (40 lbs).

Step 1. Check Components

Check that you have received all parts as shown in the Component Checklist.

Step 2. Mount Base

Disassemble Desk Clamp Assembly

6mm Allen Key

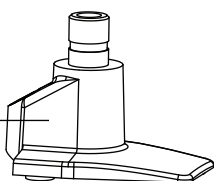


A.1 Loosen and Remove Screw

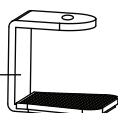
Clamp Screw



Desk Clamp



Clamp Bracket



A.2 Disassemble Clamp and Bracket

Option A: Mount using Desk Clamp

6mm Allen Key



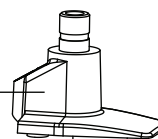
A.3 Firmly Tighten

Clamp Screw

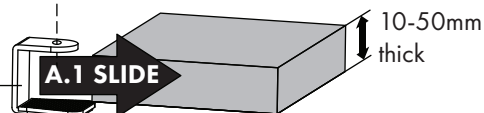


A.2 Insert Screw

Desk Clamp



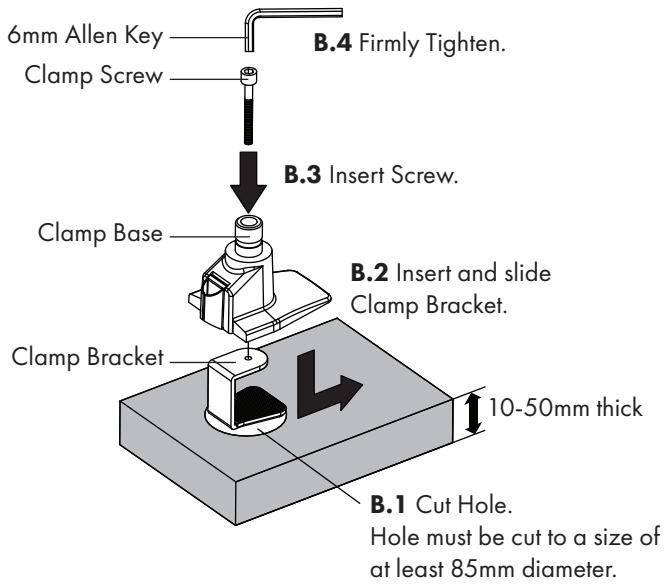
Clamp Bracket



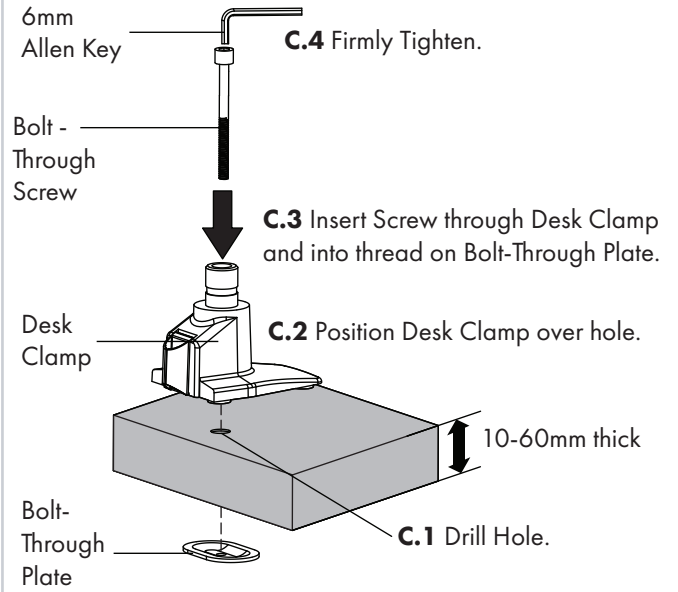
A.1 SLIDE

Step 2. Mount Base (continued)

Option B: Mount using Grommet Mount

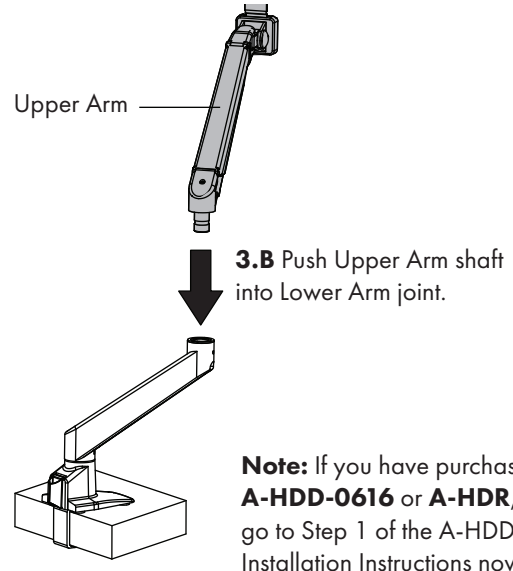
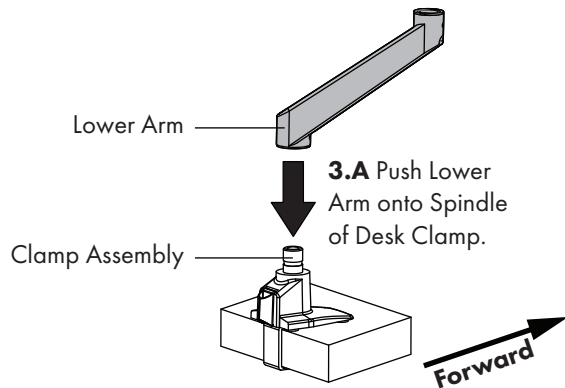


Option C: Mount using Bolt-Through



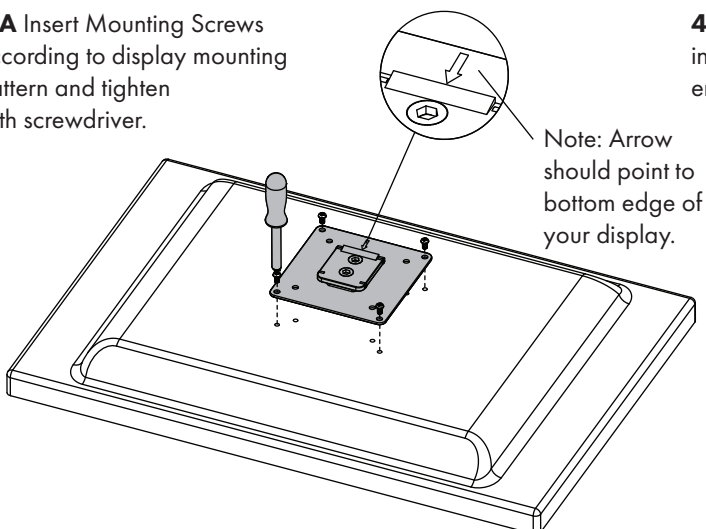
Step 3. Assemble Arm

Note: Arm should be oriented facing forward of the clamp if using Desk Clamp or Grommet Mount. (see arrow below)
If arm is required to face backwards, you will need to use a bolt-through mount.

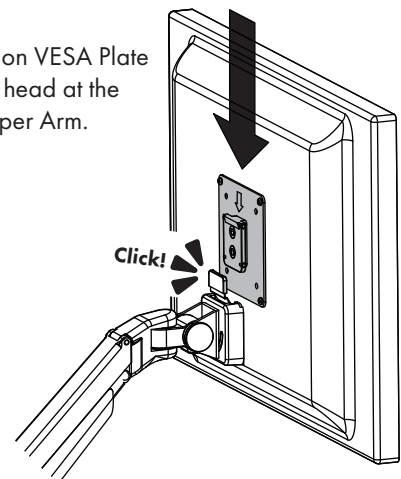


Step 4. Attach VESA Plate to Display

4.A Insert Mounting Screws according to display mounting pattern and tighten with screwdriver.

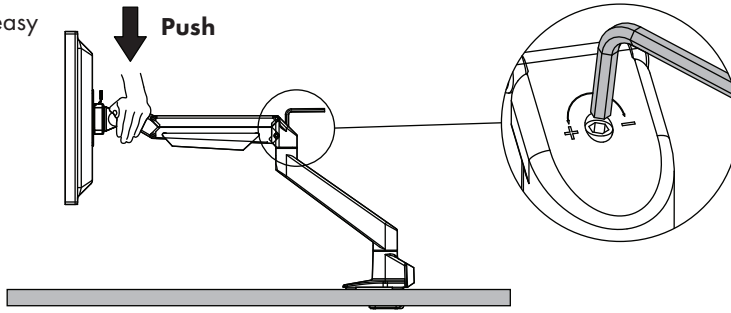


4.B Slide tab on VESA Plate into mounting head at the end of the Upper Arm.



Step 5. Adjust Arm Tension

5.A Push upper arm to a horizontal position for easy adjustment.

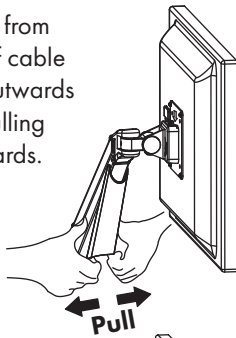


5.B Turn the screw according to the weight of your display. Heavier displays will require more turns to the positive direction, shown on the arm.

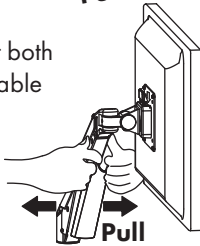
Adjustment is complete when the arm supports the weight of the display and does not rise when pushed to the bottom of the arm's range.

Step 6. Cable Management

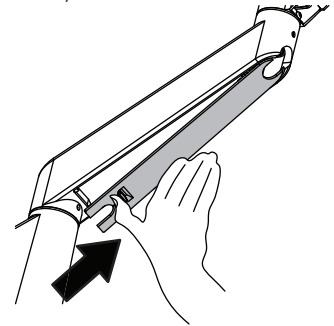
6.A Pull from inside of cable cover outwards while pulling downwards.



Repeat at both ends of cable cover to remove.



6.B Push in tab at lower end of cable cover, while pulling down, to remove.



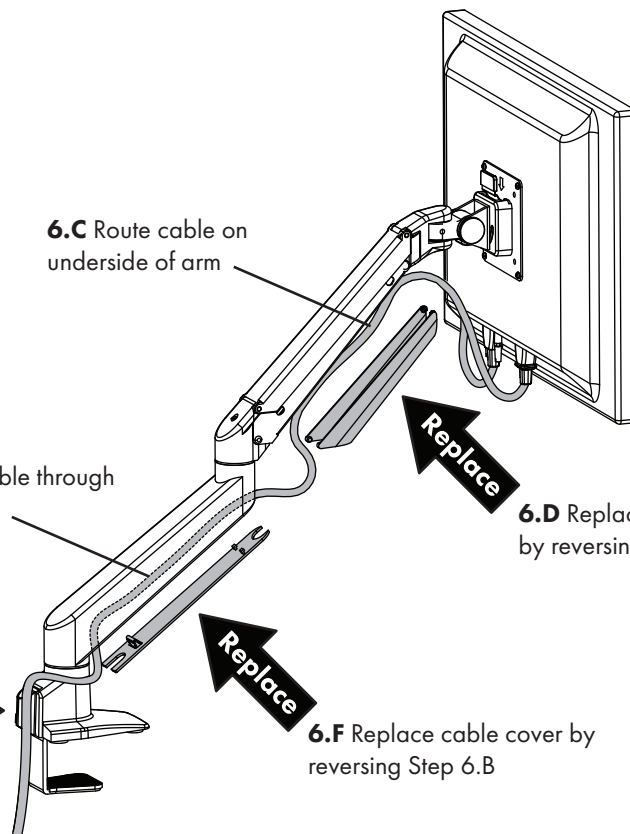
Note: Leave enough slack in cable for movement of the arm

6.C Route cable on underside of arm

6.E Route cable through inside of arm

6.G Push cable into cable clip

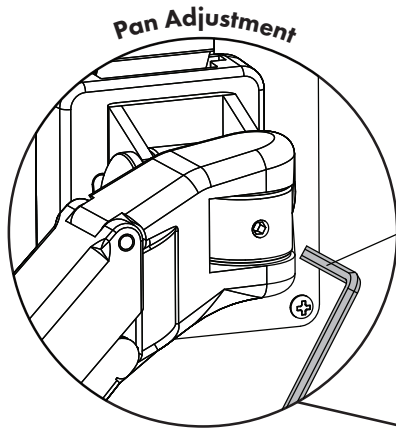
Push



6.D Replace cable cover by reversing Step 6.A

6.F Replace cable cover by reversing Step 6.B

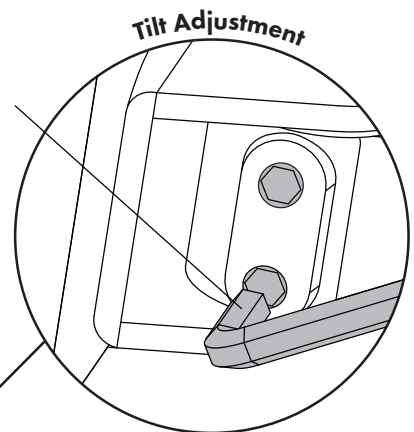
Step 7. Fine Tune Adjustment



Pan Adjustment

3mm Allen Key

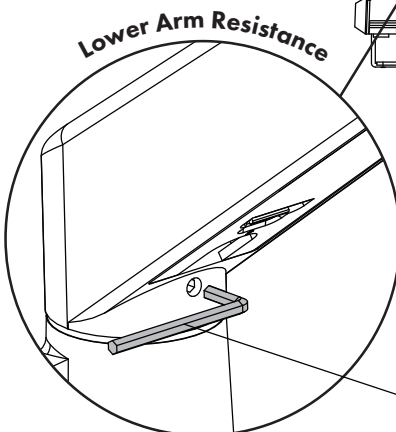
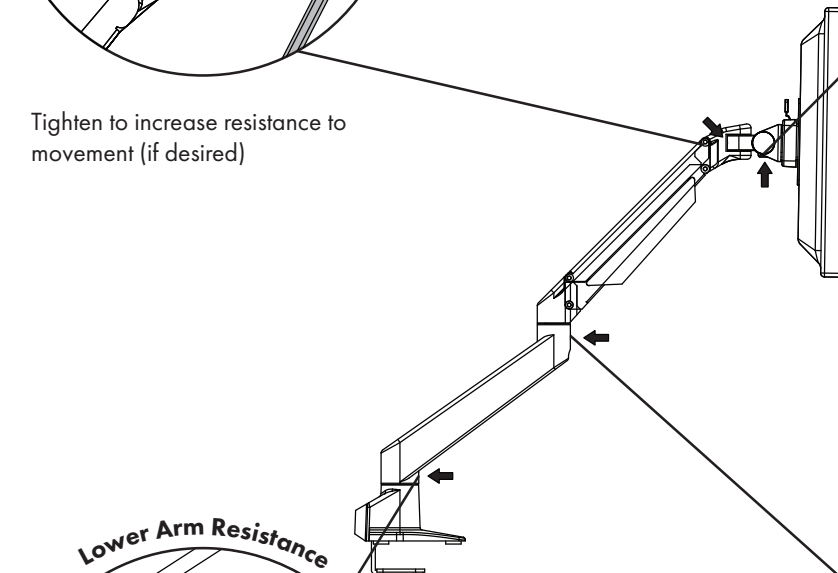
Tighten to increase resistance to movement (if desired)



Tilt Adjustment

4mm Allen Key

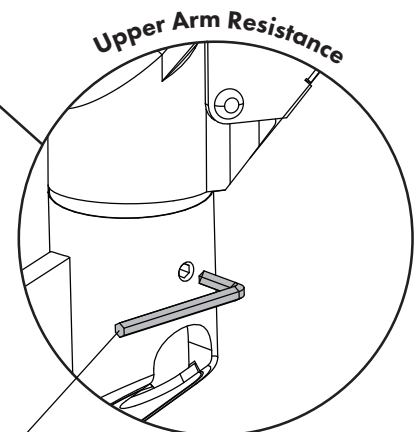
The tilt screws will need to be adjusted to hold your display. Heavier screens will require more tension. Tighten both screws equally.



Lower Arm Resistance

3mm Allen Key

Tighten to increase resistance to movement (if desired)

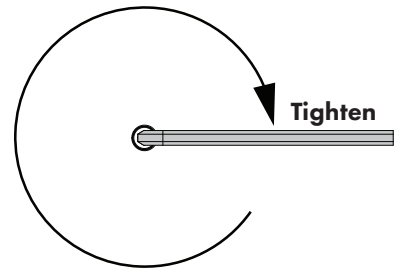
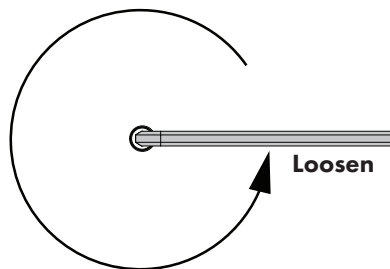


Upper Arm Resistance

3mm Allen Key

Tighten to increase resistance to movement (if desired)

Note: all of the adjustment points listed in **Step 7** follow the convention illustrated here.



Installation Complete



No portion of this document or any artwork contained herein should be reproduced in any way without the express written consent of Atdec Pty Ltd. Due to the continuing product development, the manufacturer reserves the right to alter specifications without notice. Published 26/08/16 ©