

Thank You

For Choosing VantecUSA Product.

We are committed to providing you with the best service and support. If you have a problem with installing, getting the product to function or other product related question, please feel free to write to us. We will help you answer your question.

You can write to us at :

support@vantecusa.com

For the latest Drivers, Manual and Frequently Asked Questions (FAQ), they are available at our website at vantecusa.com or write to us.

Thank you,
VantecUSA Support Team.



Installation Guide



NexStar SX

M.2 NVMe SSD to USB 3.1 Gen 2 Type C Enclosure

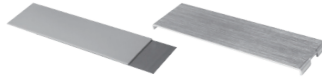
Bag-1

- + Screw Driver x1
- + Screw x2 (for M.2)
- + Screw Nut x2 (for M.2)
- + Screw x3 (for Case Plate Cover)



Bag-2

- + Thermal pad x1
- + Aluminum heat sink x1



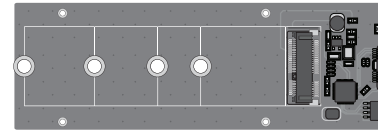
1. Verify the package contents.
Note: Only one screw and one screw nut are needed. The extras are spares.



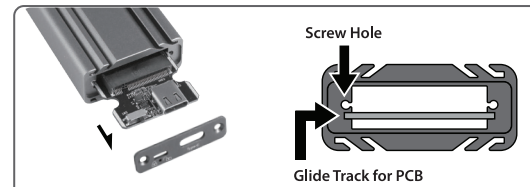
Your NVMe Module



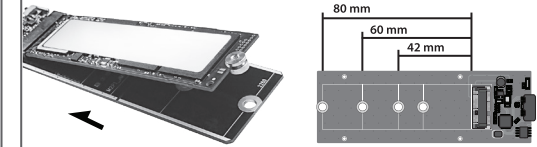
Printed Circuit Board



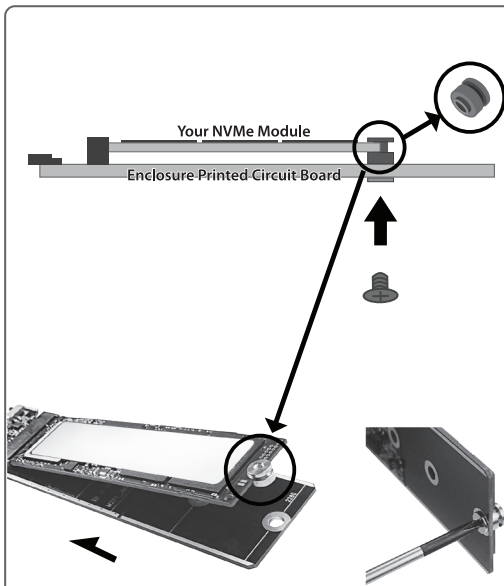
2. Before you unpack your NVMe module and take out the PCB from the enclosure, please be aware that these are sensitive devices and can be damaged by Static Electricity. Please ground yourself before handling them and hold by the edge of the PCB and module.



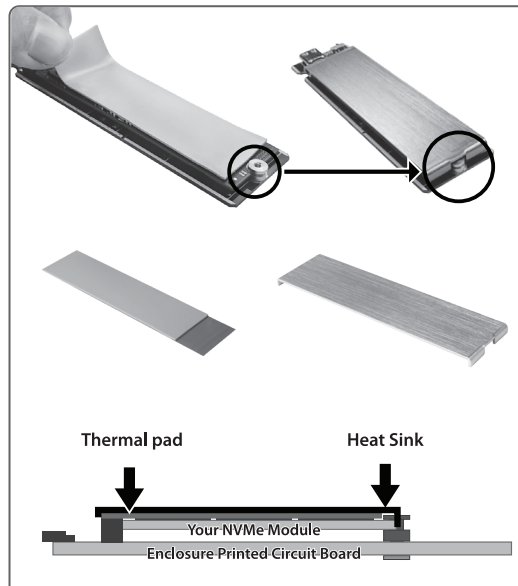
3. Remove the plate and slide out the Printed Circuit Board (PCB) by the side edge.
NOTE the glide track the PCB is seating on when sliding out. This is the same glide track for putting back the PCB later.



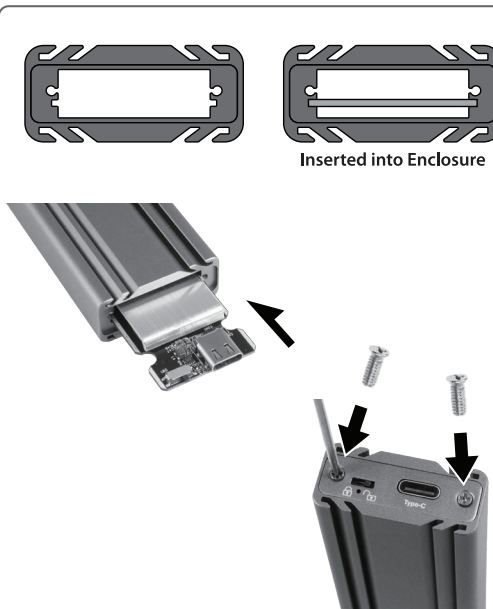
4. Your M.2 NVMe module may come in different length. Connect your M.2 module at an angle into the M.2 interface on the PCB. Your M.2 NVMe module is keyed (M Key only) and can only insert into the interface with the label facing up.



5. Use the screw nut provided, insert into the semi-circular notch of your M.2 module, press down the M.2 module and secure the M.2 screw nut using the screw from the underside. **NOTE** the orientation of the screw nut.



6. Peel the protecting film off both sides of the thermal pad and apply it on to the top of the mounted M.2 NVMe module.
7. Align the heat sink with the notch to the screw nut and place it on top of the thermal pad.



8. Insert the PCB back into glide track the same way it was removed in step 3 earlier.
9. Align the cover and make sure the Type-C port and the Lock Switch are exposed correctly, Install the cover and secure the two cover screws.

10. Preparing the newly installed M.2 NVMe for use:
All new USB storage device needs to be initialized, partition and formatted for the Operating System you are using before it can store data.

For the Windows Operating System, use Disk Management and for OS X, use Disk Utility.

For detail, instruction refers to the FAQ "How to preparing a New storage, Hard Drive, or SSD for use with a system" on our website support section at www.vantecusa.com

www.vantecusa.com

NST-206C3-SG

Information in this document is subject to change without notice. Reproduction of these materials in any manner whatsoever without written permission is strictly forbidden.



v1.01



Copyright © 2019 Vantec Thermal Technologies. All Rights Reserved. All Registered Trademarks Belong to Their Respective Companies.