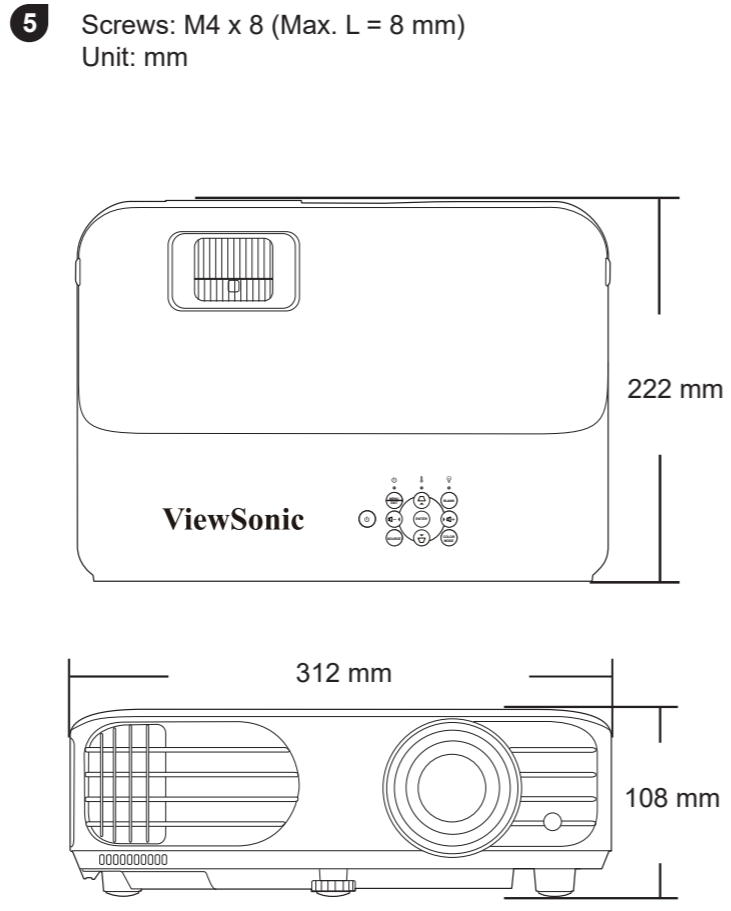
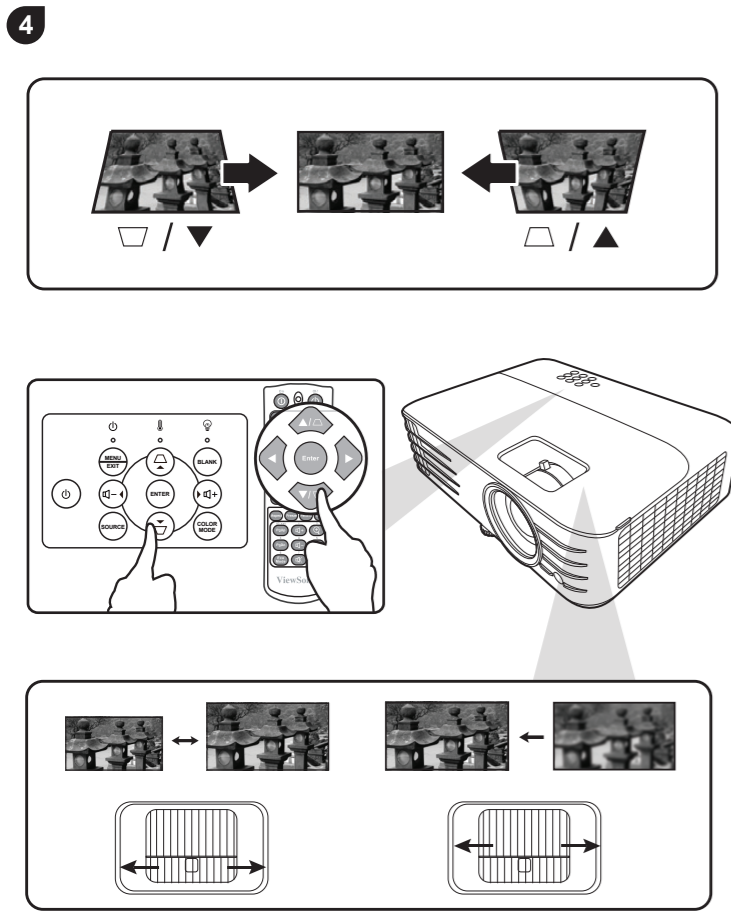
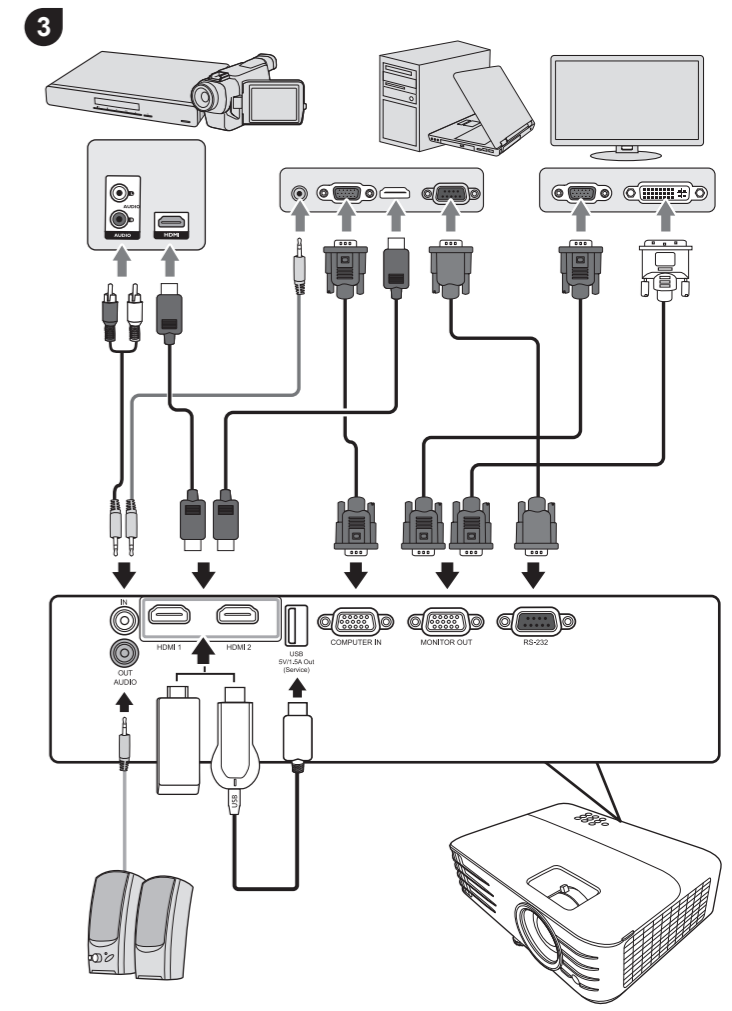
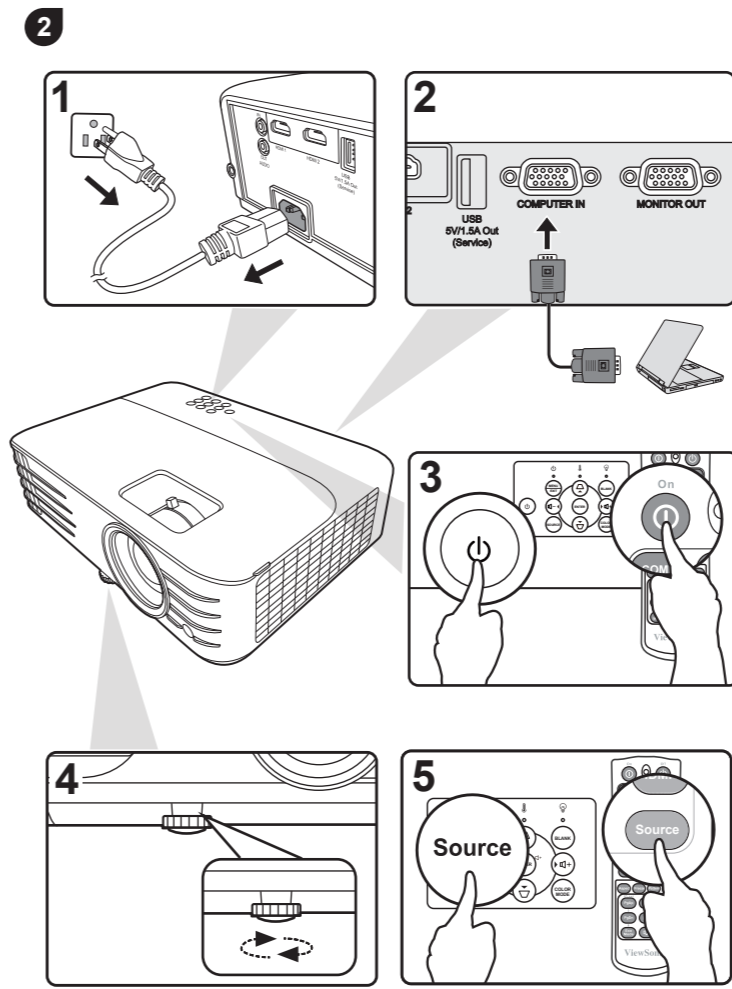
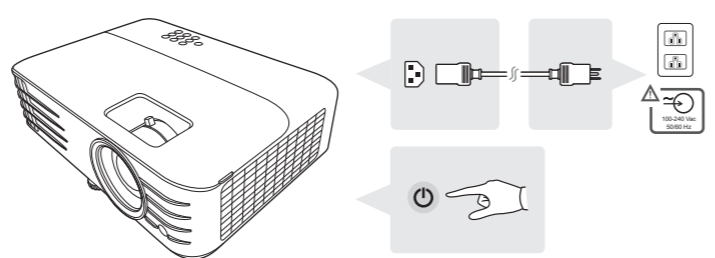
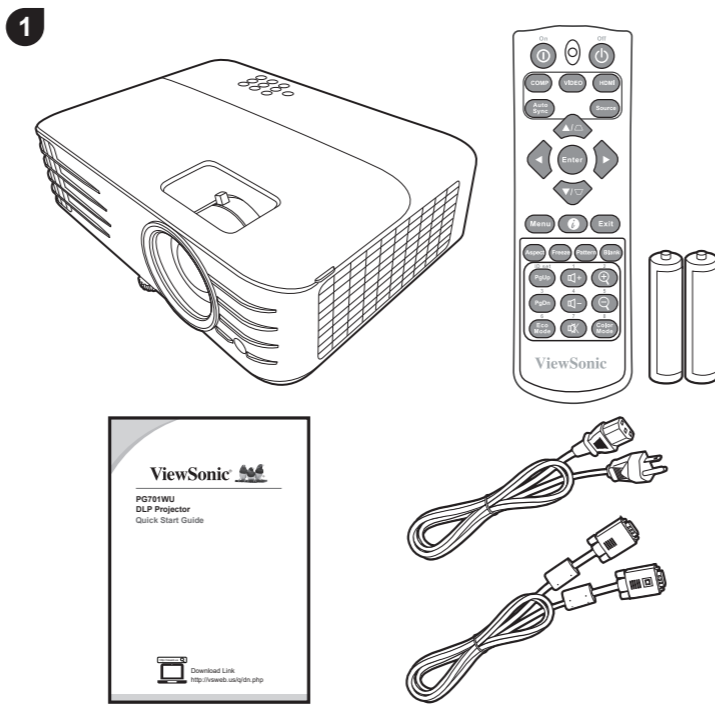




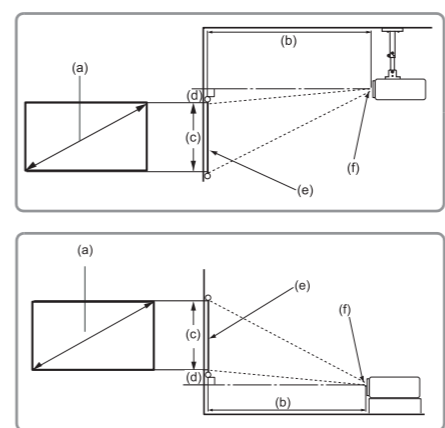
PG701WU
DLP Projector
Quick Start Guide

快速安装说明
快速入門指南
빠른 시작 가이드
クイックスタートガイド
Ръководство за бърз старт
Vodič za brzo pokretanje
Úvodní příručka
Aan de slag
Pika-aloitusopas
Guide de démarrage rapide
Schnellstarthandbuch
Οδηγός γρήγορης εκκίνησης
Első lépések
Guida introduttiva

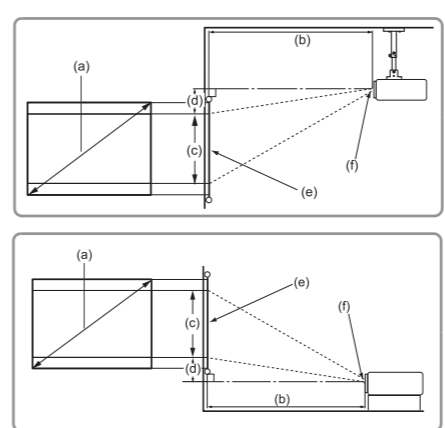
Przewodnik Szybki start
Guia de Inicio Rápido
Ghid de pornire rapidă
краткое руководство по началу работы
Vodič za brzi početak
Priručka so stručným návodom
Vodnik za hitri začetek
Guia de inicio rápido
Snabbstartsguide
Hızlı Başlangıç Kılavuzu
короткий посібник користувача
Panduan Mulai Cepat
دليل البدء السريع



• 16:10 image on a 16:10 screen



• 16:10 image on a 4:3 screen



(a) Screen Size		16:10 image on a 16:10 Screen									
		(b) Projection distance				(c) Image height		(d) Vertical offset			
inch	mm	min.	max.	min.	max.	min.	max.	min.	max.	min.	max.
60	1524	76	1938	84	2132	32	808	0.0	0.0	0.0	0.0
70	1778	89	2261	98	2487	37	942	0.0	0.0	0.0	0.0
80	2032	102	2584	112	2842	42	1077	0.0	0.0	0.0	0.0
90	2286	114	2907	126	3198	48	1212	0.0	0.0	0.0	0.0
100	2540	127	3230	140	3553	53	1346	0.0	0.0	0.0	0.0
110	2794	140	3553	154	3908	58	1481	0.0	0.0	0.0	0.0
120	3048	153	3876	168	4263	64	1615	0.0	0.0	0.0	0.0
130	3302	165	4199	182	4619	69	1750	0.0	0.0	0.0	0.0
140	3556	178	4522	196	4974	74	1885	0.0	0.0	0.0	0.0
150	3810	191	4845	210	5329	79	2019	0.0	0.0	0.0	0.0
160	4064	203	5168	224	5685	85	2154	0.0	0.0	0.0	0.0
170	4318	216	5491	238	6040	90	2289	0.0	0.0	0.0	0.0
180	4572	229	5814	252	6395	95	2423	0.0	0.0	0.0	0.0
190	4826	242	6137	266	6750	101	2558	0.0	0.0	0.0	0.0
200	5080	254	6460	280	7106	106	2692	0.0	0.0	0.0	0.0

(a) Screen Size		16:10 image on a 4:3 Screen									
		(b) Projection distance				(c) Image height		(d) Vertical offset			
inch	mm	min.	max.	min.	max.	min.	max.	min.	max.	min.	max.
60	1524	72	1828	79	2011	30	762	0.0	0.0	0.0	0.0
70	1778	84	2133	92	2346	35	889	0.0	0.0	0.0	0.0
80	2032	96	2438	106	2681	40	1016	0.0	0.0	0.0	0.0
90	2286	108	2742	119	3017	45	1143	0.0	0.0	0.0	0.0
100	2540	120	3047	132	3352	50	1270	0.0	0.0	0.0	0.0
110	2794	132	3352	145	3687	55	1397	0.0	0.0	0.0	0.0
120	3048	144	3656	158	4022	60	1524	0.0	0.0	0.0	0.0
130	3302	156	3961	172	4357	65	1651	0.0	0.0	0.0	0.0
140	3556	168	4266	185	4692	70	1778	0.0	0.0	0.0	0.0
150	3810	180	4571	198	5028	75	1905	0.0	0.0	0.0	0.0
160	4064	192	4875	211	5363	80	2032	0.0	0.0	0.0	0.0
170	4318	204	5180	224	5698	85	2159	0.0	0.0	0.0	0.0
180	4572	216	5485	238	6033	90	2286	0.0	0.0	0.0	0.0
190	4826	228	5789	251	6368	95	2413	0.0	0.0	0.0	0.0
200	5080	240	6094	264	6704	100	2540	0.0	0.0	0.0	0.0

There is 3% tolerance among these numbers due to optical component variations. It is recommended that if you intend to permanently install the projector, you should physically test the projection size and distance using the actual projector in situ before you permanently install it, so as to make allowance for this projector's optical characteristics. This will help you determine the exact mounting position so that it best suits your installation location.

