

DATA SHEET



HDMI® and 3.5mm Audio Pass Through Decorative Wall Plate

Complete an in-wall HDMI and Stereo Audio cabling installation with this wall plate featuring flexible HDMI and 3.5mm pigtails

OVERVIEW

The HDMI and 3.5mm Audio Pass Through Decorative Wall Plate is perfect for the transition to in-wall cabling. This solution offers a clean, professional look and is ideal for classrooms, conference rooms and houses of worship.

The HDMI and 3.5mm Audio pass through ports include thin, flexible pigtails that accommodate the tight bend radius required for installations within a standard junction box.

This wall plate is designed for durability and a long life in commercial environments where constant wear and tear causes damage.

FEATURES

- Supports HDMI audio/video signals and Stereo Audio
- Flexible HDMI and 3.5mm pigtails for easy installation in a wall box
- Fits standard electrical boxes
- Compatible with decorative trim plates

ITEM DESCRIPTION

39872 HDMI and 3.5mm Audio Pass Through Decorative Wall Plate - White

DATA SHEET

SPECIFICATIONS:

HDMI and 3.5mm Audio Pass Through Decorative Wall Plate

ELECTRICAL SPECIFICATIONS:

- Voltage Rating: 30V
- Nominal Capacitance: 58PF/M
- Conductor Resistance: @ 20°C max, 30AWG: 376.96[OHM]/KM
- Insulation Resistance: 10M[OHM]/km @ 20°C DC 500V
- Attenuation:
 - @ 0.30~825MHz 5dB/3.0M
 - @ 825~2475MHz 12dB/3.0M
 - @ 2475~4125MHz 20dB/3.0M
 - @ 4125~5100MHz 25dB/3.0M

PHYSICAL SPECIFICATIONS:

- Jacket: Black PVC
- Jacket Thickness: 0.51mm
- Minimum Bend radius: 30mm
- Approvals: CE and conforms to 2011/65/EU ROHS 2

Conductor (2 Conductors, 5 Pair):

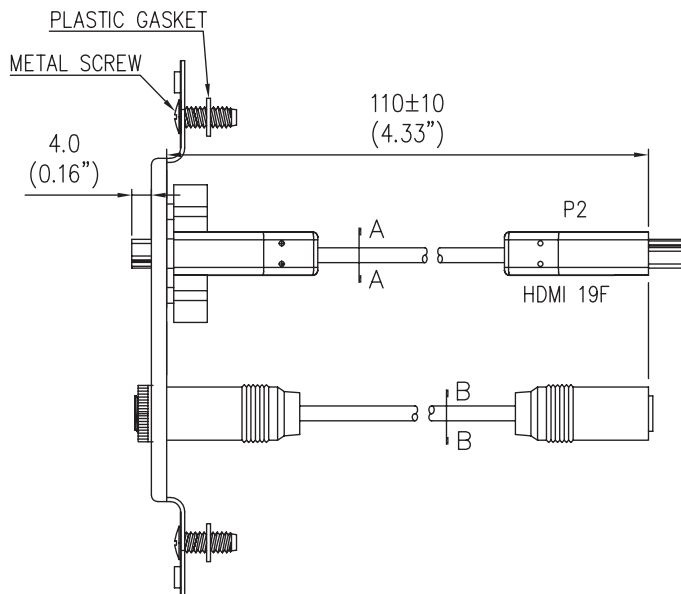
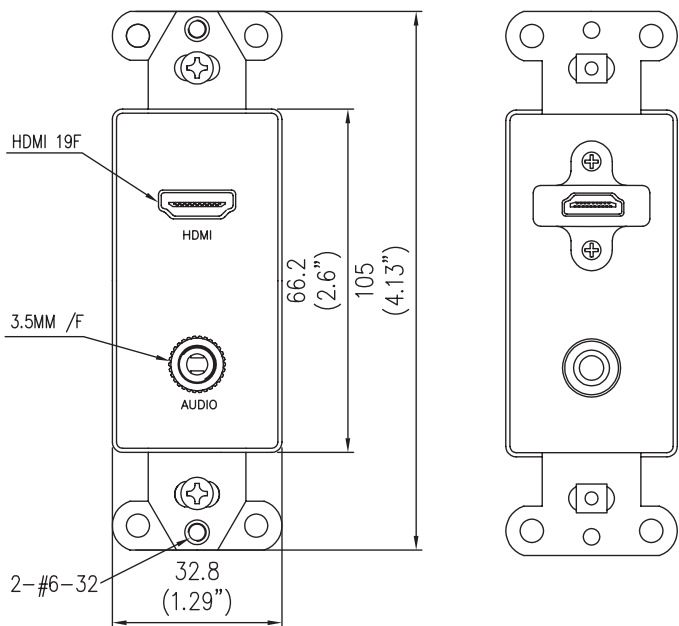
- Conductor: 30AWG(7/0.10TC)X5PR
- Insulation: FM-PE, ID: 0.75±0.05mm
- Color: Brown/White, Red/White, Orange/White, Green/White, Blue/White
- Drain: 30AWG(7/0.10TC)X5
- Shield: AL Foil WrapX5
- Braid: (16/5/0.08TC)X5

Conductor (4 Conductors):

- Conductor: 30AWG(7/0.10TC)X4C
- Insulation: PP, ID: 0.55±0.05mm
- Color: Red/Yellow/Orange/White
- Drain: 30AWG(7/0.10TC)
- Shield: AL Foil Wrap

Conductor (2 Conductors):

- Conductor: 26AWG(7/0.16TA)X2C
- Insulation: SR-PVC ID: 1.0±0.05
- Color: Black/White
- Shield: AL Foil Wrap
- Drain: 24AWG(7/0.20TA)



C2G
A brand of **legrand**

3555 Kettering Blvd.
Moraine, OH 45439
Phone: 800.CABL.911
www.c2g.com

Follow Us

