

# DATA SHEET



## HDMI® and 3.5mm Audio Pass Through Single Gang Wall Plate

Complete an in-wall HDMI and Stereo Audio cabling installation with this wall plate featuring flexible HDMI and 3.5mm pigtails

### OVERVIEW

---

The HDMI and 3.5mm Audio Pass Through Single Gang Wall Plate is perfect for the transition to in-wall cabling. This solution offers a clean, professional look and is ideal for classrooms, conference rooms and houses of worship.

The HDMI and 3.5mm Audio pass through ports include thin, flexible pigtails that accommodate the tight bend radius required for installations within a standard junction box.

Constructed of high quality aluminum, this wall plate is designed for durability and a long life in commercial environments where constant wear and tear causes damage

### FEATURES

---

- Supports HDMI audio/video signals and Stereo Audio
- Flexible HDMI and 3.5mm pigtails for easy installation in a wall box
- Compatible with a standard single gang wall box
- Aluminum construction for durability and long life

### ITEM DESCRIPTION

---

39871 HDMI and 3.5mm Audio Pass Through Single Gang Wall Plate - Brushed Aluminum

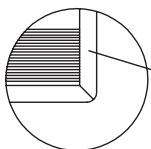
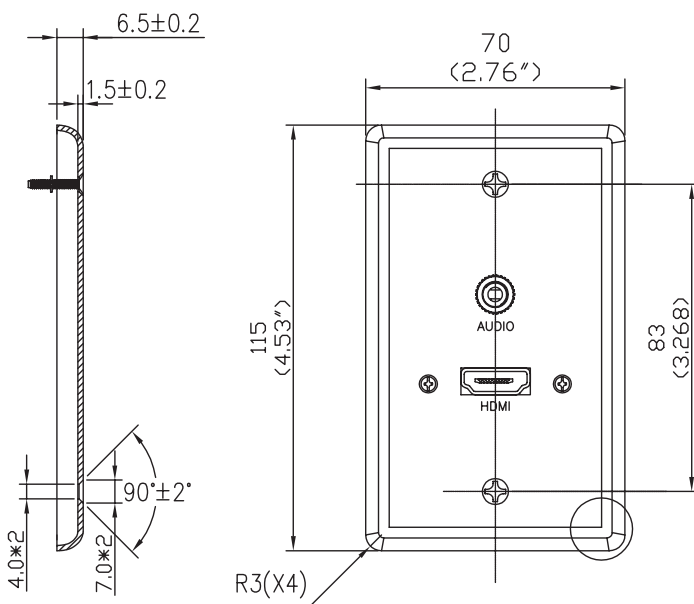
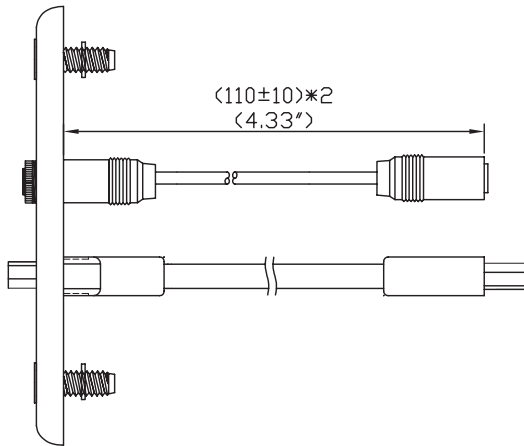
# DATA SHEET

## SPECIFICATIONS:

### HDMI and 3.5mm Audio Pass Through Single Gang Wall Plate

#### ELECTRICAL SPECIFICATIONS:

- Voltage Rating: 30V
- Nominal Capacitance: 58PF/M
- Conductor Resistance: @ 20°C max
- Insulation Resistance: 10M[OHM]/km @ 20°C DC 500V
- Attenuation:
  - @ 0.30~825MHz 5dB/3.0M
  - @ 825~2475MHz 12dB/3.0M
  - @ 2475~4125MHz 20dB/3.0M
  - @ 4125~5100MHz 25dB/3.0M



THE BRUSH MARKS SHOULD BE HORIZONTAL ON THE SURFACE

DETAIL E

#### PHYSICAL SPECIFICATIONS:

- Jacket: Black PVC
- Jacket Thickness: 0.51mm
- Minimum Bend radius: 30mm
- Approvals: CE and conforms to 2011/65/EU ROHS 2

#### Conductor (2 Conductors, 5 Pair):

- Conductor: 30AWG(7/0.10TC)X5PR
- Insulation: FM-PE, ID: 0.75±0.05mm
- Color: Brown/White, Red/White, Orange/White, Green/White, Blue/White
- Drain: 30AWG(7/0.10TC)X5
- Shield: AL Foil WrapX5
- Braid: (16/5/0.08TC)X5

#### Conductor (4 Conductors):

- Conductor: 30AWG(7/0.10TC)X4C
- Insulation: PP, ID: 0.55±0.05mm
- Color: Red/Yellow/Orange/White
- Drain: 30AWG(7/0.10TC)
- Shield: AL Foil Wrap

#### Conductor (2 Conductors):

- Conductor: 26AWG(7/0.16TA)X2C
- Insulation: SR-PVC ID: 1.0±0.05
- Color: Black/White
- Shield: AL Foil Wrap
- Drain: 24AWG(7/0.20TA)

#### Wall Plate:

- Material: Brushed Aluminum 5052
- Hardness: HRB22 Anodizing

**C2G**  
A brand of **legrand**

3555 Kettering Blvd.  
Moraine, OH 45439  
Phone: 800.CABL.911  
www.c2g.com

Follow Us

