

DATA SHEET



Dual HDMI® Pass Through Single Gang Wall Plate

Complete an in-wall HDMI cabling installation with this wall plate featuring flexible HDMI pigtailed

OVERVIEW

The Dual HDMI Pass Through Single Gang Wall Plate is perfect for the transition to in-wall cabling. This solution offers a clean, professional look and is ideal for classrooms, conference rooms and houses of worship.

The HDMI pass through ports includes thin, flexible HDMI pigtailed connectors that accommodate the tight bend radius required for installations within a standard junction box.

Constructed of high quality aluminum, this wall plate is designed for durability and a long life in commercial environments where constant wear and tear causes damage.

FEATURES

- Supports 2 HDMI audio/video signals
- Flexible HDMI pigtailed connectors for easy installation in a wall box
- Compatible with a standard single gang wall box

ITEM DESCRIPTION

39879 Dual HDMI Pass Through Single Gang Wall Plate - Black

DATA SHEET

SPECIFICATIONS:

Dual HDMI Pass Through Single Gang Wall Plate

ELECTRICAL SPECIFICATIONS:

- Voltage Rating: 30V
- Nominal Capacitance: 58PF/M
- Conductor Resistance: @ 20°C max
- Insulation Resistance: 10M[OHM]/km @ 20°C DC 500V
- Attenuation:
 - @ 0.30~825MHz 5dB/3.0M
 - @ 825~2475MHz 12dB/3.0M
 - @ 2475~4125MHz 20dB/3.0M
 - @ 4125~5100MHz 25dB/3.0M

PHYSICAL SPECIFICATIONS:

- Jacket: Black PVC
- Jacket Thickness: 0.51mm
- Minimum Bend radius: 30mm
- Approvals: CE and conforms to 2011/65/EU ROHS 2

Conductor (2 Conductors, 5 Pair):

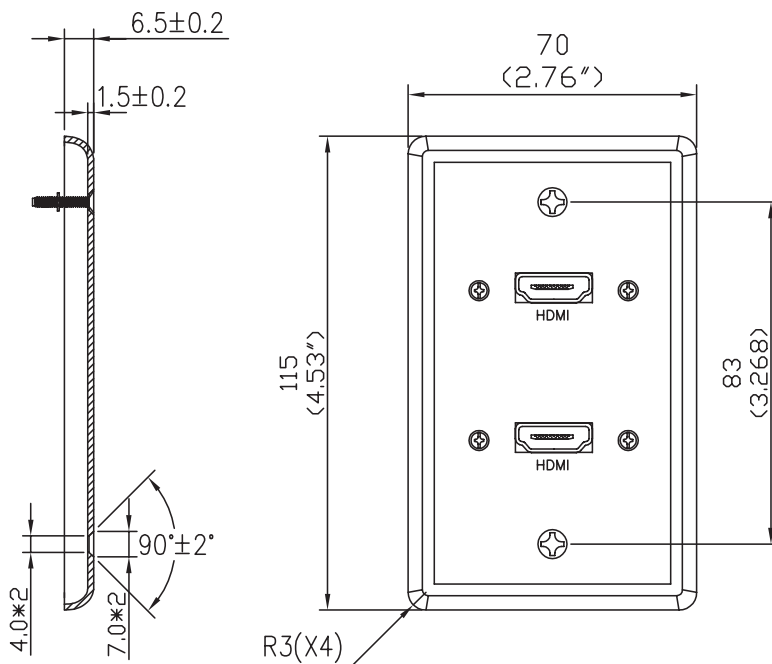
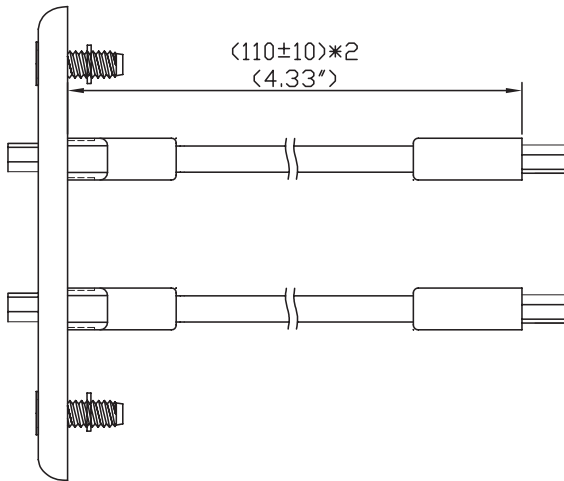
- Conductor: 30AWG(7/0.10TC)X5PR
- Insulation: FM-PE, ID: 0.75±0.05mm
- Color: Brown/White, Red/White, Orange/White, Green/White, Blue/White
- Drain: 30AWG(7/0.10TC)X5
- Shield: AL Foil WrapX5
- Braid: (16/5/0.08TC)X5

Conductor (4 Conductors):

- Conductor: 30AWG(7/0.10TC)X4C
- Insulation: PP, ID: 0.55±0.05mm
- Color: Red/Yellow/Orange/White
- Drain: 30AWG(7/0.10TC)
- Shield: AL Foil Wrap

Wall Plate:

- Material: Brushed Aluminum 5052
- Hardness: HRB22 Anodizing



C2G
A brand of **Legrand**

3555 Kettering Blvd.
Moraine, OH 45439
Phone: 800.CABL.911
www.c2g.com

Follow Us

