

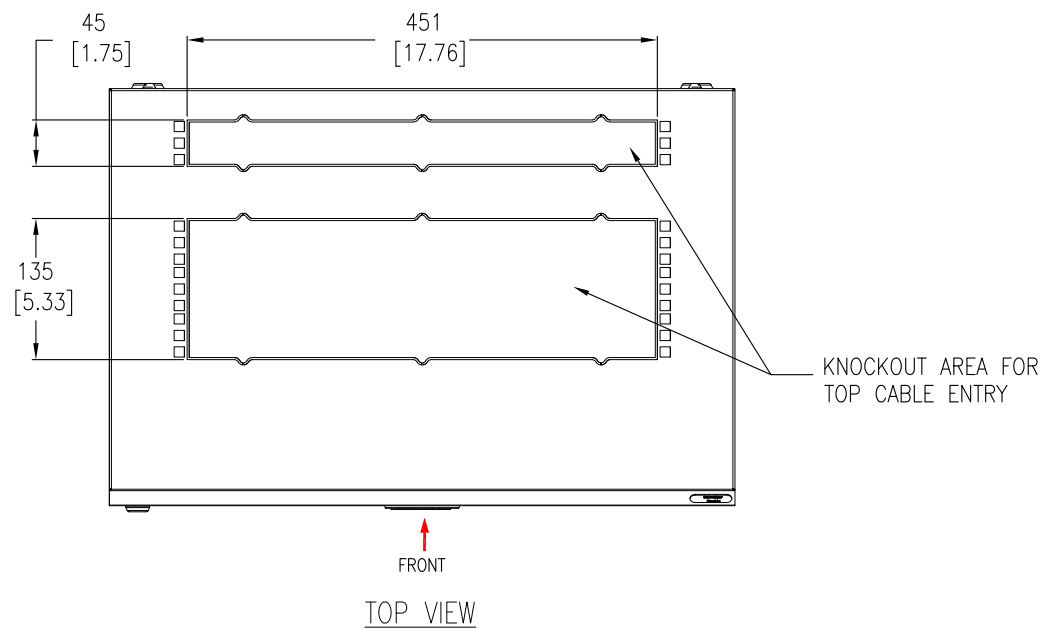
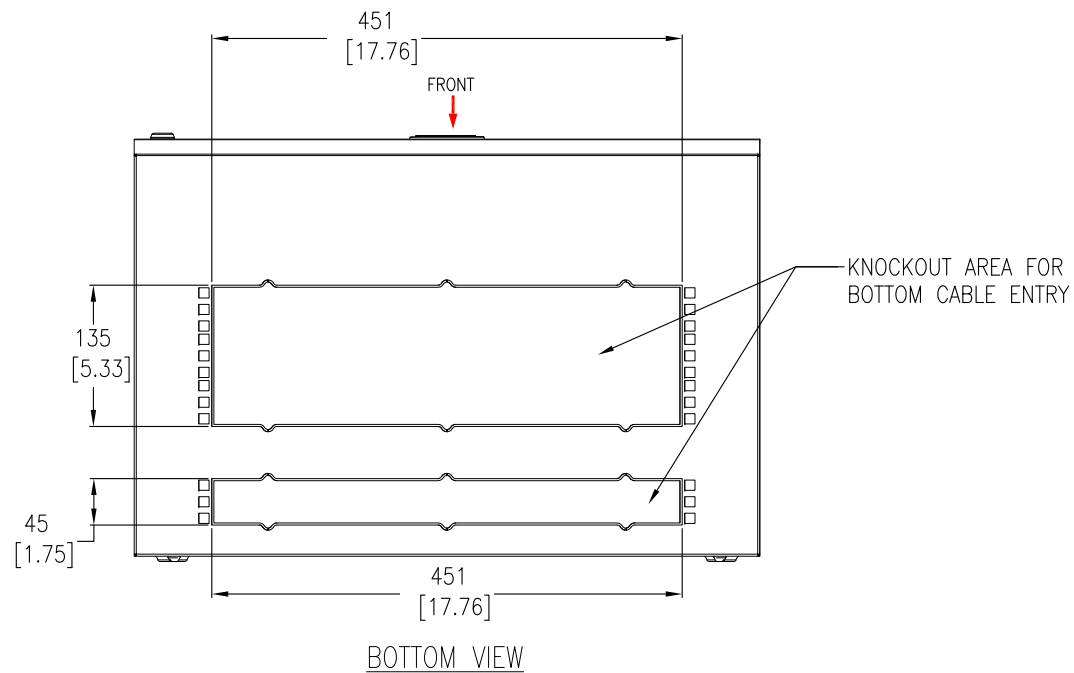
NOTES:

1. INSTALLATION MUST COMPLY WITH NATIONAL AND LOCAL ELECTRICAL REGULATIONS.
2. ENCLOSURE CAN BE REVERSED TO ACCOMMODATE VARIOUS CONFIGURATION, SO THAT DOOR OPENS IN THE OPPOSITE DIRECTION. PLEASE REFER TO THE PRODUCT MANUALS FOR DETAILED INFORMATION.
3. ALL DIMENSIONS ARE IN MILLIMETERS [INCHES].
4. NET WEIGHT OF UNIT IS 9.4kg [20.7 LBS].
5. CABLE ENTRY IS TOP OR BOTTOM OF UNIT.
6. AIR FLOW AND SERVICE REQUIREMENTS, AS WELL AS MINIMUM CLEARANCE TO FIRE SUPPRESSION SYSTEMS SHOULD BE CONSIDERED WHEN LOCATING THE ENCLOSURE.

THIS DRAWING AND SPECIFICATIONS HEREIN ARE THE PROPERTY OF SCHNEIDER ELECTRIC AND SHALL NOT BE COPIED, REPRODUCED OR USED IN WHOLE OR IN PART, AS THE BASIS FOR THE MANUFACTURE OR SALE OF ITEMS WITHOUT WRITTEN PERMISSION FROM SCHNEIDER ELECTRIC. THIS DRAWING IS BASED UPON LATEST AVAILABLE INFORMATION AND IS SUBJECT TO CHANGE WITHOUT NOTICE.



| | | | | | |
|-----------------------------|---------------------------------------------------------------|--------------|-----------|-----------|------|
| TITLE: | NetShelter WX 6U WALL MOUNT CABINET GENERAL ARRANGEMENT | DWG NO: | AR106 | REV: | 0 |
| DRAWN BY: | JAYAPRAKASH | 07-MAY-15 | FIRST | | |
| ENGINEER: | PETER FISCHER | 08-MAY-15 | ANGLE | | |
| PROJECT: SUBMITTAL DRAWINGS | SHEET 1 OF 3 | APPROVED BY: | GREG IVEY | 08-MAY-15 | PROJ |



NOTES:

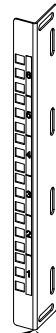
1. INSTALLATION MUST COMPLY WITH NATIONAL AND LOCAL ELECTRICAL REGULATIONS.
2. ALL DIMENSIONS ARE MILLIMETERS [INCHES].

THIS DRAWING AND SPECIFICATIONS HEREIN ARE THE PROPERTY OF SCHNEIDER ELECTRIC AND SHALL NOT BE COPIED, REPRODUCED OR USED IN WHOLE OR IN PART, AS THE BASIS FOR THE MANUFACTURE OR SALE OF ITEMS WITHOUT WRITTEN PERMISSION FROM SCHNEIDER ELECTRIC. THIS DRAWING IS BASED UPON LATEST AVAILABLE INFORMATION AND IS SUBJECT TO CHANGE WITHOUT NOTICE.



| | | | | | |
|----------|----------------------------------------------------------------|---------|--------|--------------|------------------|
| TITLE: | NetShelter WX 6U WALL MOUNT CABINET TOP AND BOTTOM VIEWS | DWG NO: | AR106 | REV: | 0 |
| PROJECT: | SUBMITTAL DRAWINGS | SHEET: | 2 OF 3 | ENGINEER: | PETER FISCHER |
| | | | | APPROVED BY: | GREG IVEY |
| | | | | | 08-MAY-15 |
| | | | | | FIRST ANGLE PROJ |

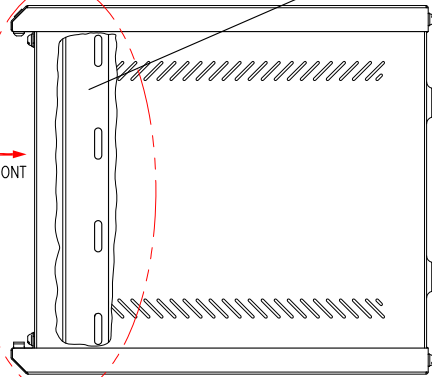
MOUNTING FLANGE



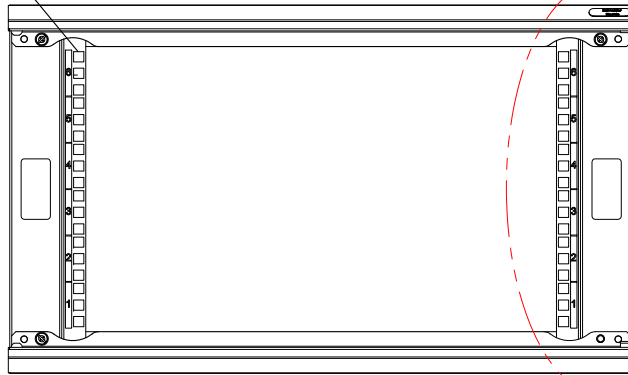
REFER TO VIEW - C

REFER TO VIEW - B

FRONT

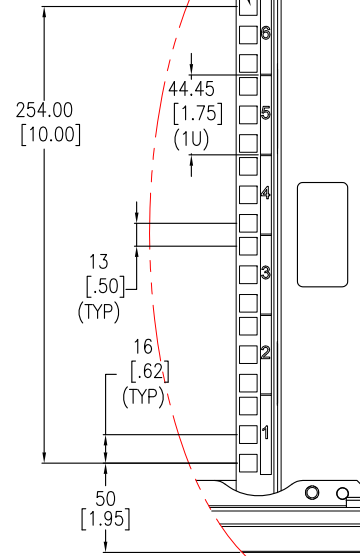


RIGHT SIDE VIEW

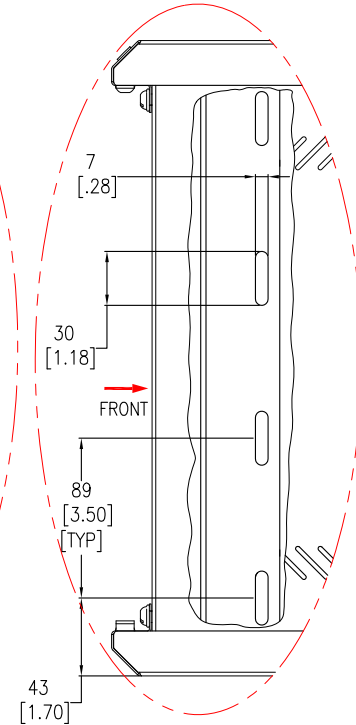


FRONT VIEW
(FRONT DOOR REMOVED)

9.5 [0.37] SQUARE SLOT
FOR USING CAGE NUTS
(18 PLACES)



VIEW -B
(MOUNTING FLANGE)
ENLARGED VIEW



VIEW -C
(MOUNTING FLANGE)
ENLARGED VIEW

NOTES:

1. INSTALLATION MUST COMPLY WITH NATIONAL AND LOCAL ELECTRICAL REGULATIONS.
2. ALL DIMENSIONS ARE MILLIMETERS [INCHES].

THIS DRAWING AND SPECIFICATIONS HEREIN ARE THE PROPERTY OF SCHNEIDER ELECTRIC AND SHALL NOT BE COPIED, REPRODUCED OR USED IN WHOLE OR IN PART, AS THE BASIS FOR THE MANUFACTURE OR SALE OF ITEMS WITHOUT WRITTEN PERMISSION FROM SCHNEIDER ELECTRIC. THIS DRAWING IS BASED UPON LATEST AVAILABLE INFORMATION AND IS SUBJECT TO CHANGE WITHOUT NOTICE.



TITLE:
NetShelter WX 6U
WALL MOUNT CABINET
INTERNAL VIEW & MOUNTING DETAILS

DWG NO: AR106

REV: 0

DRAWN BY: JAYAPRAKASH 07-MAY-15

FIRST

ENGINEER: PETER FISCHER 08-MAY-15

ANGLE

PROJECT: SUBMITTAL DRAWINGS SHEET 3 OF 3

APPROVED BY: GREG IVEY 08-MAY-15

PROJ