



Strimer Plus V2
8 PIN Extension 300 mm x 1 pc



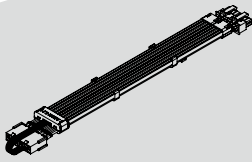
x 1 pc



white buckle x 2 pcs



white buckle x 2 pcs



PW8-PV2

Strimer Plus V2

8 PIN Extension 300 mm

Installation / 安裝

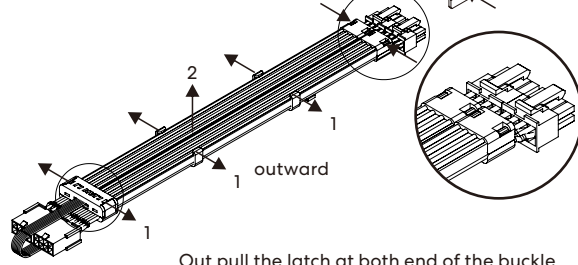


Attention! Check orientation of the GPU 8 pin connector before installation. If in the other way, follow below instructions to change the direction.

注意! 首先檢示 8 pin 線材的接頭方向是否符合所安裝的顯示卡, 若不符合要先更換接頭方向。

3 Steps to change the direction of the connector:
更換接頭方向 3 步驟:

1. Release all the buckles and cable combs.
1. 先將各扣件組解開。

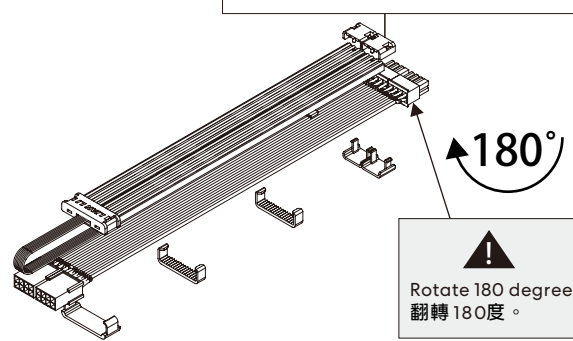


Out pull the latch at both end of the buckle and push inward of the smaller buckle to release the cable from the lighting diffuser.
卡扣分別外推及內推, 即可拿出排線與燈條。

2. Flip the cable.
2. 翻轉排線。

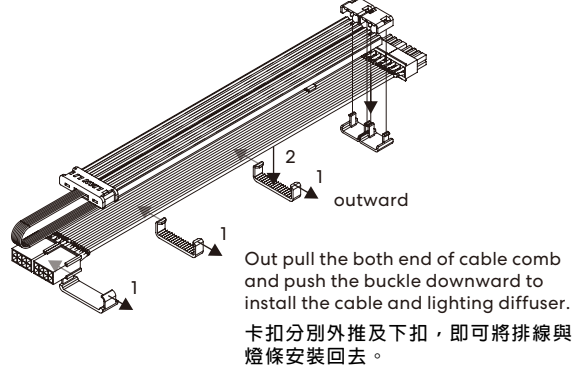


Able to swap to the white buckles.
注意! 可以更換白色卡扣。

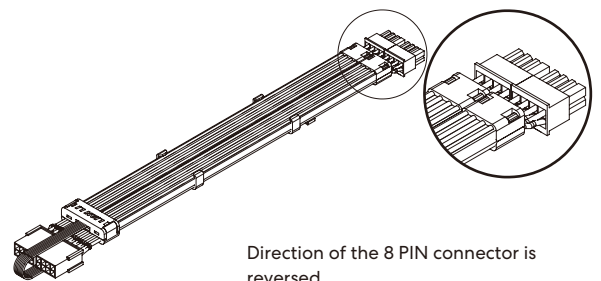


Rotate 180 degrees.
翻轉 180 度。

3. Assemble all the buckles and cable combs.
3. 將卡扣推回扣件組。



Out pull the both end of cable comb and push the buckle downward to install the cable and lighting diffuser.
卡扣分別外推及下扣, 即可將排線與燈條安裝回去。



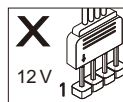
Direction of the 8 PIN connector is reversed.
完成更換 8 PIN 接頭方向。

Instructions

安裝指南

www.lian-li.com

Cable connection guide / 線材連接指南



Warning: Do not connect the wrong type of LED connector. If it is connected to the 12 V connector, permanent damage will occur.
警告: 請不要連接錯誤類型的 LED 接頭, 如果連接到 12V 接口, 將造成永久損壞。

or / 或

Connect to Motherboard 5 V ARGB 3 pin header.
連接至主機板 5 V ARGB 3 pin 接頭。

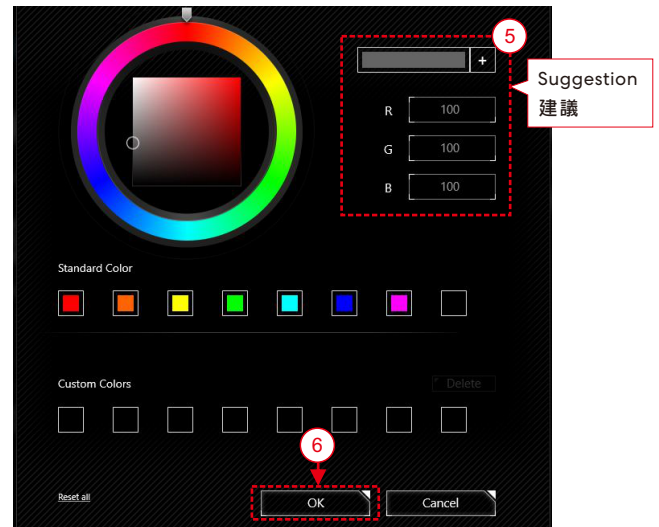
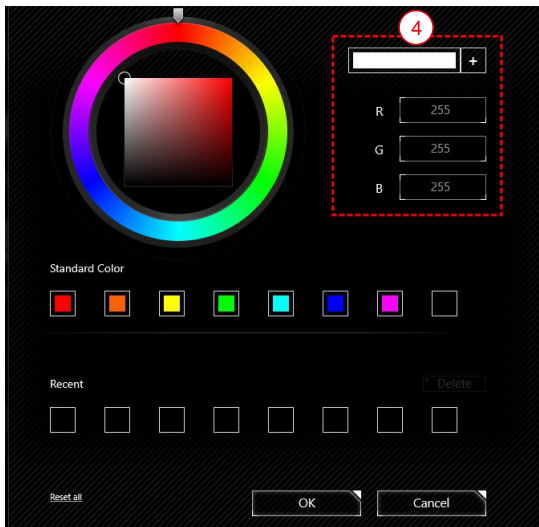
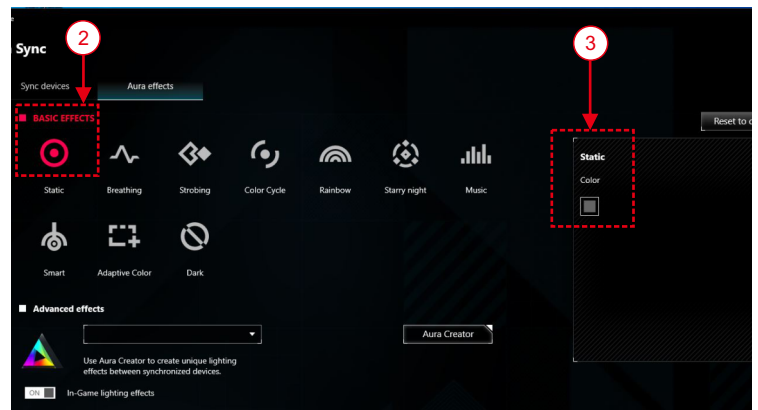
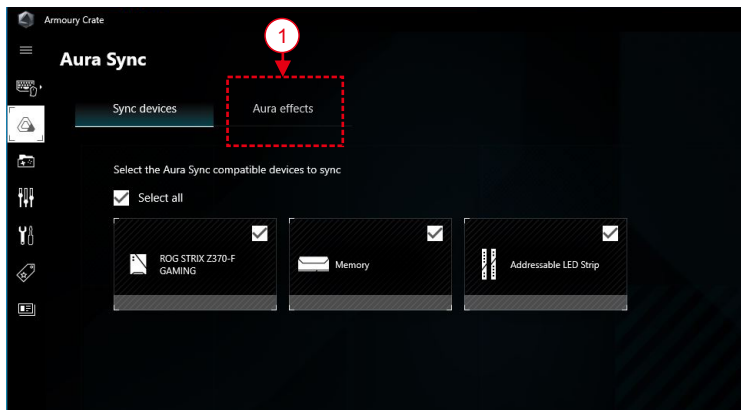
Controller not included.
不含控制器。



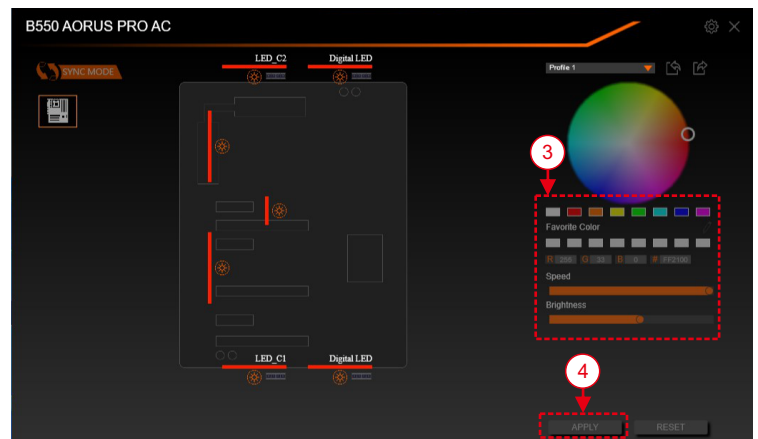
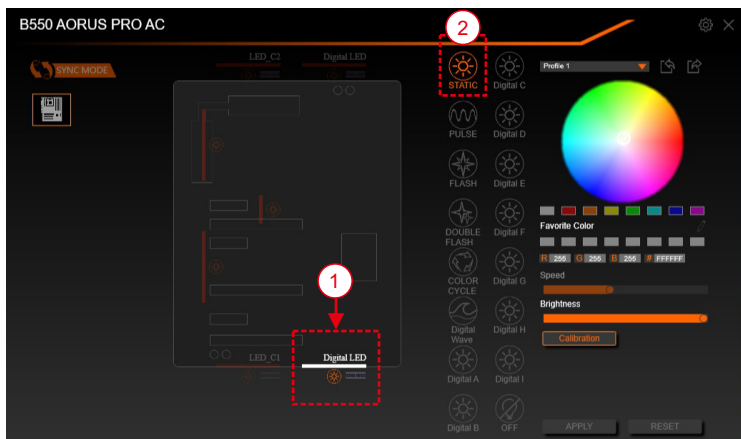
Reminder! Please purchase Stimer Plus V2 24 Pin, or Strimer L-Connect 3 Controller.
提醒! 請購買 Stimer Plus V2 24 Pin, 或 Strimer L-Connect 3 控制器。

Instruction for lower brightness of static white color from motherboard software / 主板軟體調低白色光亮度指南

ASUS / 華碩 - Aura Sync



GIGABYTE / 技嘉 - RGB Fusion



MSI / 微星 - Dragon Center

