

# Thank You

For Choosing VantecUSA Product.

We are committed to providing you with the best service and support. If you have a problem with installing, getting the product to function or other product related question, please feel free to write to us. We will help you answer your question.

You can write to us at : [support@vantecusa.com](mailto:support@vantecusa.com)  
For the latest Drivers, Manual and Frequently Asked Questions (FAQ), they are available at our website at [vantecusa.com](http://vantecusa.com) or write to us.



QRCode to product Page,  
Drivers, Manual, and FAQ.

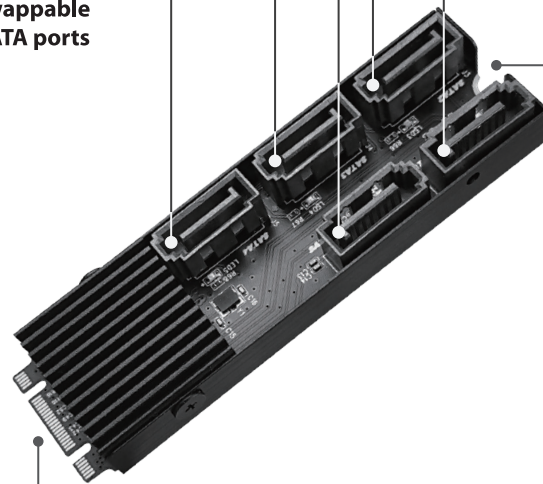
Thank you,  
VantecUSA Support Team.



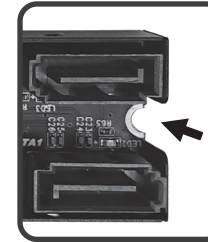
# Installation Guide



Connects to 5  
swappable  
SATA ports

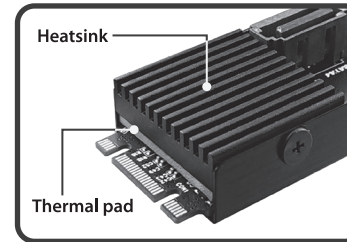


Fixed with M.2 screw  
or other fixture



Heatsink

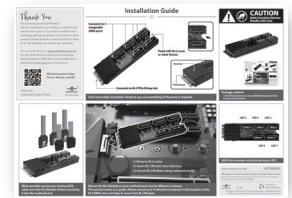
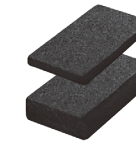
Thermal pad



Connects to M.2 PCIe M-key slot

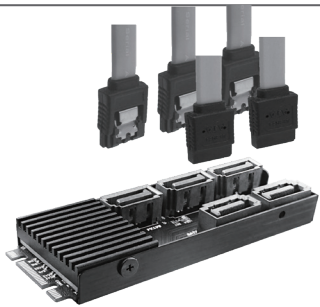
Unit comes fully assembled. Ready to use, no assembling of the parts is required.

**CAUTION**  
Static Sensitive Devices  
Handle with Care

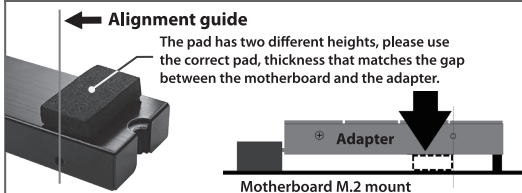


Package content:

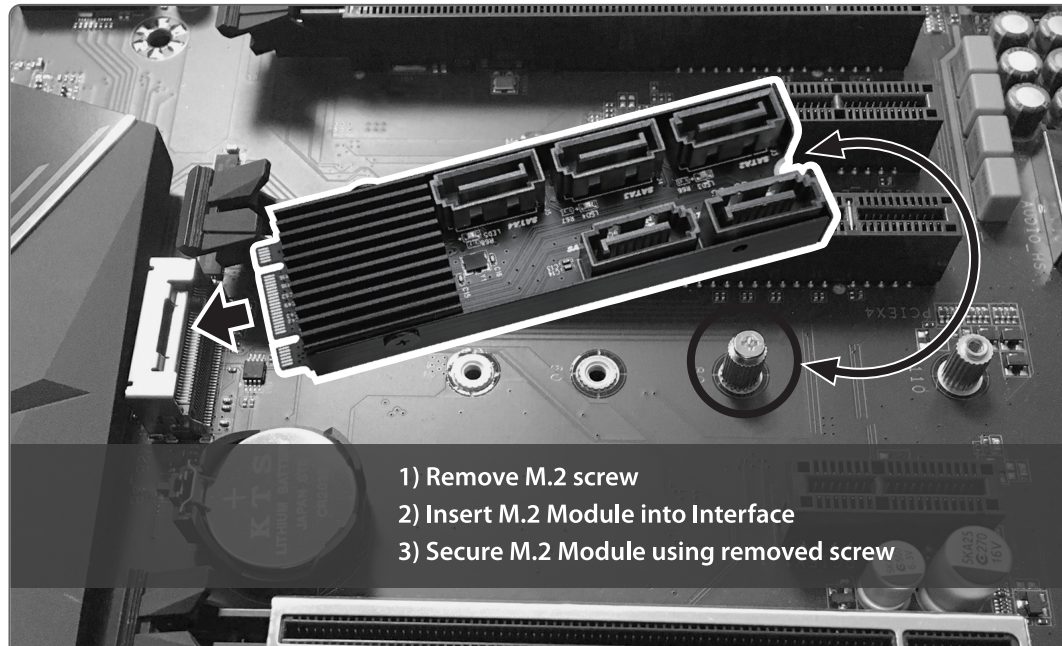
- 1) M.2 PCIe Gen3x2 to 5 ports SATA III Expansion Card
- 2) Quick Install Guide and two Pads.



When possible secure your locking SATA cable onto this M.2 Module before mounting it into the motherboard.

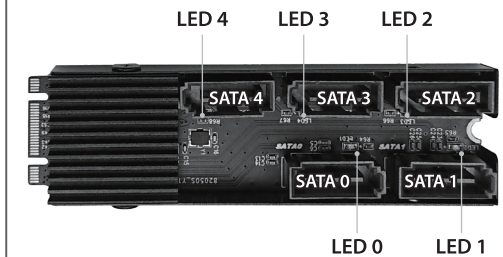


Placement of the provided pad is important to better support the adapter during insertion of the SATA cable on to the adapter. Use the hole to align the placement of the pad.



- 1) Remove M.2 screw
- 2) Insert M.2 Module into Interface
- 3) Secure M.2 Module using removed screw

Mount this M.2 Module on your motherboard may be different as shown. This picture serves as a guide. Please consult your motherboard manual on the location of the M.2 NVMe slot and steps to mount this M.2 Module.



SATA Port number and Activity status LED.

[www.vantecusa.com](http://www.vantecusa.com)

UGT-M2670

Information in this document is subject to change without notice. Reproduction of these materials in any manner whatsoever without written permission is strictly forbidden.



v1.01



Printed on Recycled Paper.  
Copyright © 2022 Vantec Thermal Technologies. All Rights Reserved. All Registered Trademarks Belong to Their Respective Companies.